

Crush Box hard drive

Destruction System



HDB-15

| Summary |

The Crush Box physically destroys the HDD ensuring that the information previously contained on the hard drive is permanently destroyed. The Crush Box is a physical HDD destroyer that pierces holes into the data platters rendering the HDD physically unusable. The physical destruction visibly identifies hard drives that have been properly sanitized. One can easily distinguish the destroyed hard drive from the others, thereby ensuring the disposal of the correct HDD.



DB-30 ProIII

| Competitive advantage |

HMC (Hydro-Motion Control)

- The HMC (Hydro-Motion Control) of the CrushBox Series (DB Pro III and HDB-15) is a unique, patented technology. The CrushBox's HMC will automatically shut off individual pins when it detects the pin has hit a hard surface, such as the magnet inside a hard drive. Automatically shutting off individual pins ensures the equipment isn't damaged when hard drives are accidentally inserted incorrectly. This HMC dramatically reduces the TCO (Total Cost of Ownership).

Heavy-Duty Taper shaft

- High Quality, Longer Lasting Taper Shaft Pins Keep Maintenance Cost Lower than Competitors' Models. Lower TCO (Total Cost of Ownership)

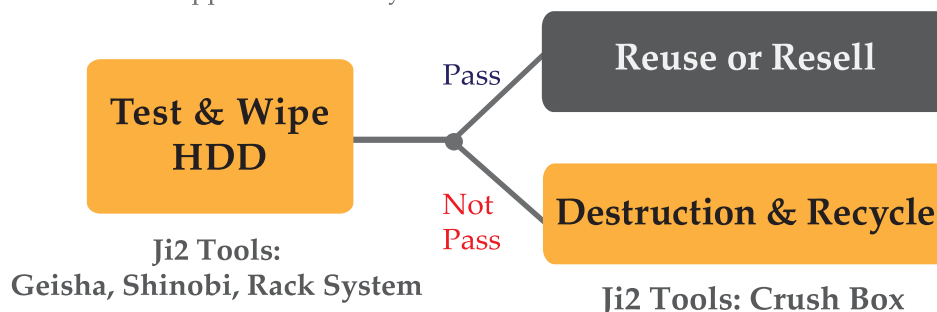
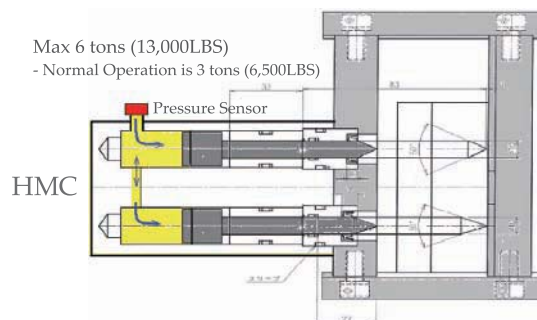
Light weight

- Light Weight
- Easy to Maneuver, Transport & Use

| Process |

The Complete Package – Use with Ji2 Wipe & Test Solution

- Ji2's hard drive testers come in wide range of configurations from 1 to 40 ports and with ATA, SATA, SAS, and SCSI hard drive support to meet any customer's needs.



Good for you &
Good for the environment

NITTOHZOHKI

CRUSH BOX hard drive

Destruction System

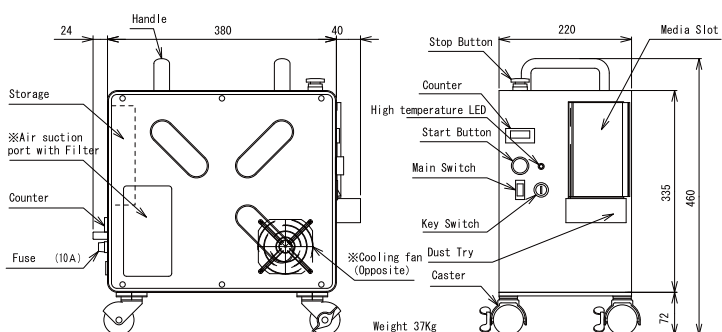
| Features |

Manual Operation Model HDB-15:

- Dimensions 7.0"W x 9.25"H x 12.75"D 23lbs.
- Destroys up to a 3.5 inch Hard Drive in 20 seconds or less
- Truly portable, Use any time, anywhere.
- Carrying Case included for portability
- "Destruction Completion" Indicator
- Mechanical Safety Interlock insures safety of operation

Automatic Operation Model DB-30 ProIII:

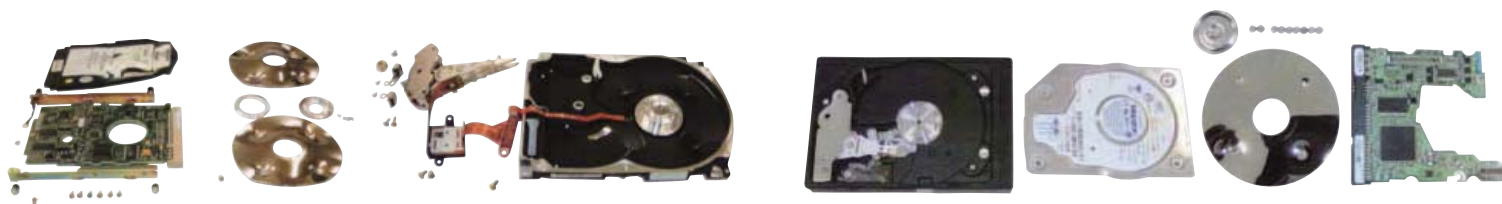
- Dimensions 8.25"W x 18.25"H x 15.0"D 80lbs.
- Physically destroys hard drive to prevent retrieval of information
- Quick & Quiet operation destroys hard drive in 10 seconds
- Energy Conscious Design: Stand by Power consumption of 1 watt
- Up to 70K shots before Tune-up is required (lubrication/re-calibration)



| Processing Example |

Disassemble 3.5 in Off Set Type

Disassemble 3.5 in Disk Center Type



Before

After

Inside



NITTOHZOHKI